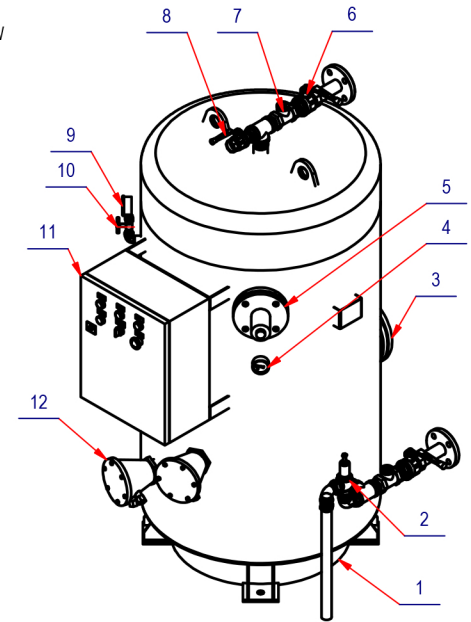


TECHNICAL PARAMETER

1. Calorifier Volume: 500L
2. Material: Stainless steel 316L
3. Power consumption of Calorifier unit: 2×10kW
4. Working pressure: 0.6MPa
5. Design pressure:0.66MPa
6. Test pressure: 0.9MPa
7. Working Temperature range:45~65 degreeC
8. Design Temperature:70 degreeC
9. Power Supply: 415 VAC/50Hz/3P
10. Tank surface finish: Passivated



13	Temperature Probe	1		00-10-03-15
12	Heater Coil 10KW 415V 50Hz 3P	2		1-H-57-31-64-3
11	Control box	1		47-14-03-91
10	Pressure valve	1	Brass	00-10-10-78
9	Pressure gauge (0~1.0MPa)	1		00-10-07-68
8	BALL VALVE DN25	2	Brass	00-10-05-06
7	DN32 Non Return Valve	3	Brass	00-10-00-32
6	BALL VALVE DN32 Brass	3	BRASS	00-10-05-10
5	Float Level Controller	1		00-10-01-50
4	Thermometer	1		00-10-01-52
3	Handhole Cover DN150 PN1.0	1	316L	40-06-02-42
2	Safe Valve.DN25	1		00-10-05-61
1	Cylinder Welding Assembly CAL-500	1	316L	40-14-02-54
ITEM	DESCRIPTION	QTY	MTRL	ID NUMBER

SUBJECT	SIZE	MODEL ID	PAGE
	A3	47-XX-02-02	1 / 1
DRAWN	2013-6-18	Wesley	
CHECK	2013-6-18	Hector	
APPR.	2013-6-18	Mathew	
REV	A.0		
Calorifier Unit CAL-500			ID NO 47-XX-02-02 M2

Estimated weight (Empty):310kg
Estimated weight (Full): 1010kg